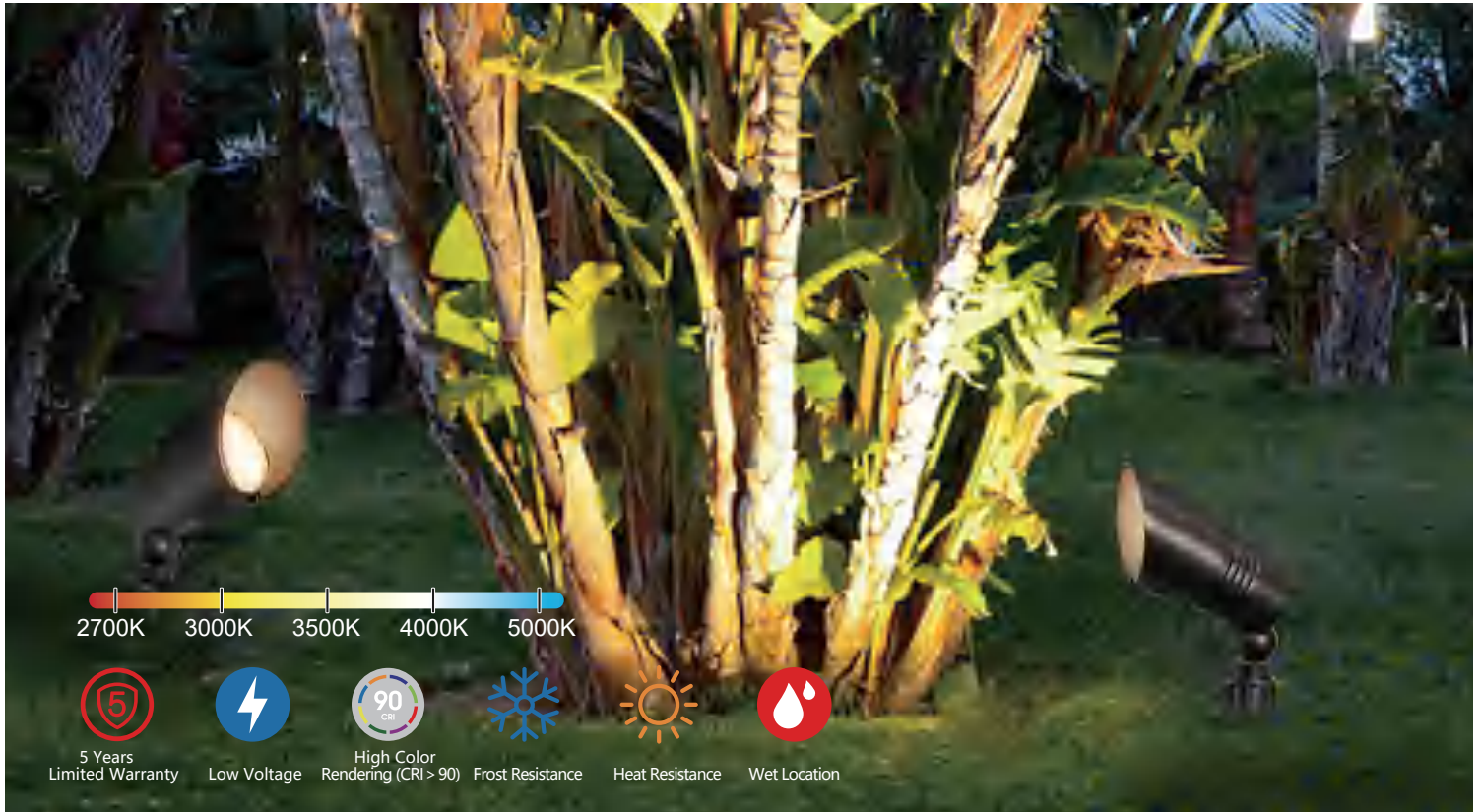




Project | Catalog # | Prepared by | Notes | Order # | Date

LED Landscape Spot Bullet Light Series

5CCT LED Low Voltage Landscape Bullet Spot Light



DESCRIPTION

This LED Landscape Lighting is solution for Outdoor lighting, LED technology means no bulbs to replace making the light virtually maintenance free. The high CRI of 90+ lets this low voltage Landscape Bullet Spot Light bring out the natural color of objects. Rugged aluminum housing with corrosion resistance & heat dissipation. IP65 rating brings better waterproof performance, best choice for outdoor wet locations, resistant to damage of heavy rains. With 50,000hrs long lifespan and backed by a 5-year warranty, these landscaping spot lights can be connected several packs of the products or other kinds of lawn lamps satisfy more requirements.



LED Landscape Spot Bullet Light Series

5CCT LED Low Voltage Landscape Bullet Spot Light



SPECIFICATION FEATURES

5CCT

- Select color temperature from 2700K warm white, 3000K soft white, 3500K natural white, 4000K cool white, or 5000K daylight for your environment.

CONSTRUCTION

- Durable die-cast aluminum all weather construction with tempered glass lens for outdoor use.
- 4.92ft Power cord included for easy wiring.
- Waterproof wire connectors included which is compatible with 22AWG-14AWG wires.

FINISH

- Coated with Oil Rubbed Bronze finish perfect for corrosion resistance.

AMBIENT TEMP

- -20 °C -40 °C

PARAMETERS

- AC/DC 12V/24V low output voltage
- Compatible with a 12V transformer, the transformer is not included.

WARRANTY

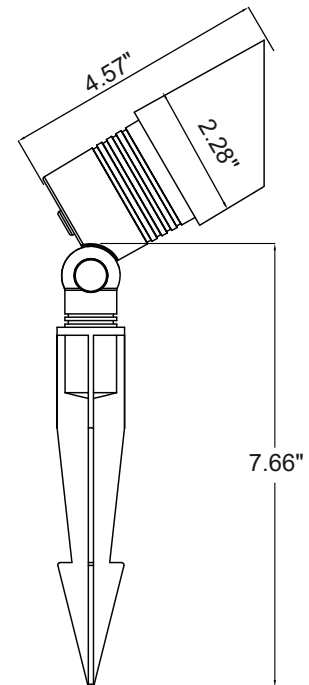
- 5-year warranty

CERTIFICATION

- ETL/FCC Listed

ORDERING INFORMATION

Series	MLS-BSL-7W-5CCT
Input Frequency	AC/DC12-24V
CRI	90
Power	7W
CCT	27K/30K/35K/40K/50K
Lumens	500-550 lm
Beam Angle	60°
Diameter(φ)	2.28
Width(Inch)	4.57
Height(Inch)	7.66
Weight(lbs)	0.76



LED Landscape Spot Bullet Light Series

5CCT LED Low Voltage Landscape Bullet Spot Light



INSTALLATION

Fig.1

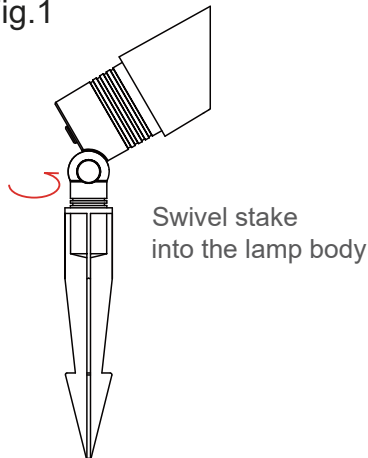
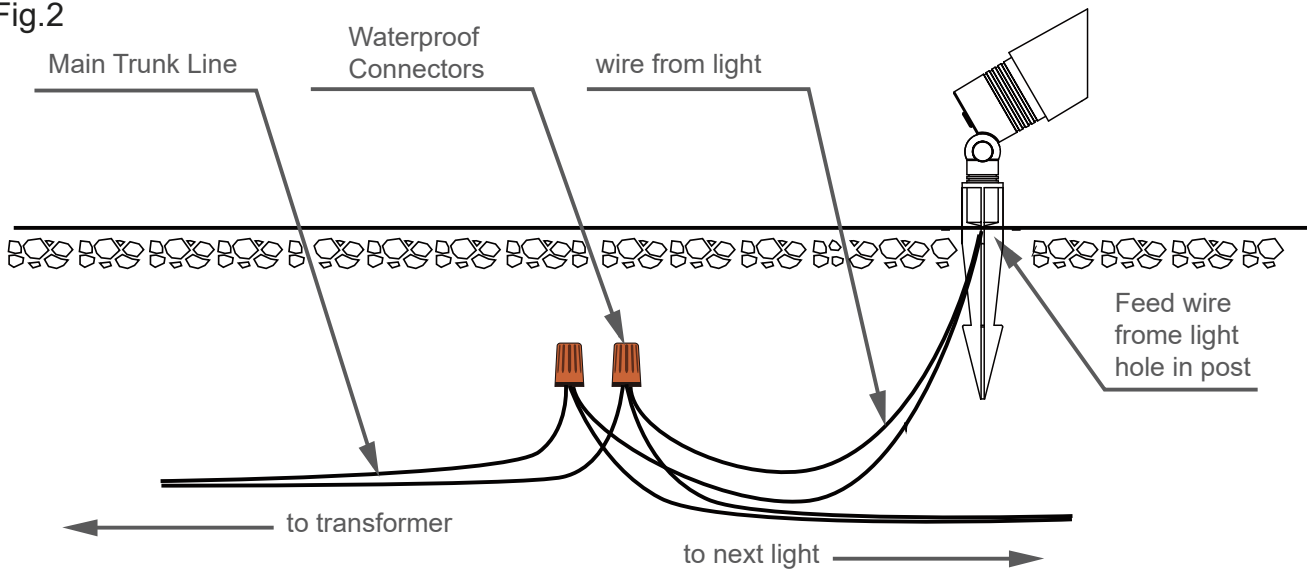


Fig.2



WARRANTY

This product is warranted for 5 years from the date of purchase. If this product does not perform to the specifications supplied on this package, send an email to support@runbisonlighting.com for product return and replacement. This replacement is the sole remedy available. Liability for incidental or consequential damage is expressly excluded.

